

SAFETY INFORMATION

Please read and understand this entire manual before attempting to assemble, install or operate the product.

WARNING

- RISK OF ELECTRIC SHOCK - Before beginning installation, turn off electricity at the circuit breaker box or the main fuse box.
- RISK OF FIRE - Use bulbs specified by the markings and/or labels on the fixture.

CAUTION

- For your safety, read instructions completely before beginning installation.
- If in doubt about electrical installation, consult a licensed electrician.
- Turn off electricity to fixture before replacing the bulb(s).

CARE OF TIFFANY STYLE SHADE

A new Tiffany lamp shade has an oil film applied to the shade that protects the Tiffany shade from scratches during shipment. If the oil applied is too heavy you can remove the excess oil film with a paper towel. Gently wipe away the excess oil.

For general cleaning of Tiffany shades use a gentle lemon oil-based furniture polish applied to a soft cloth and wipe gently.

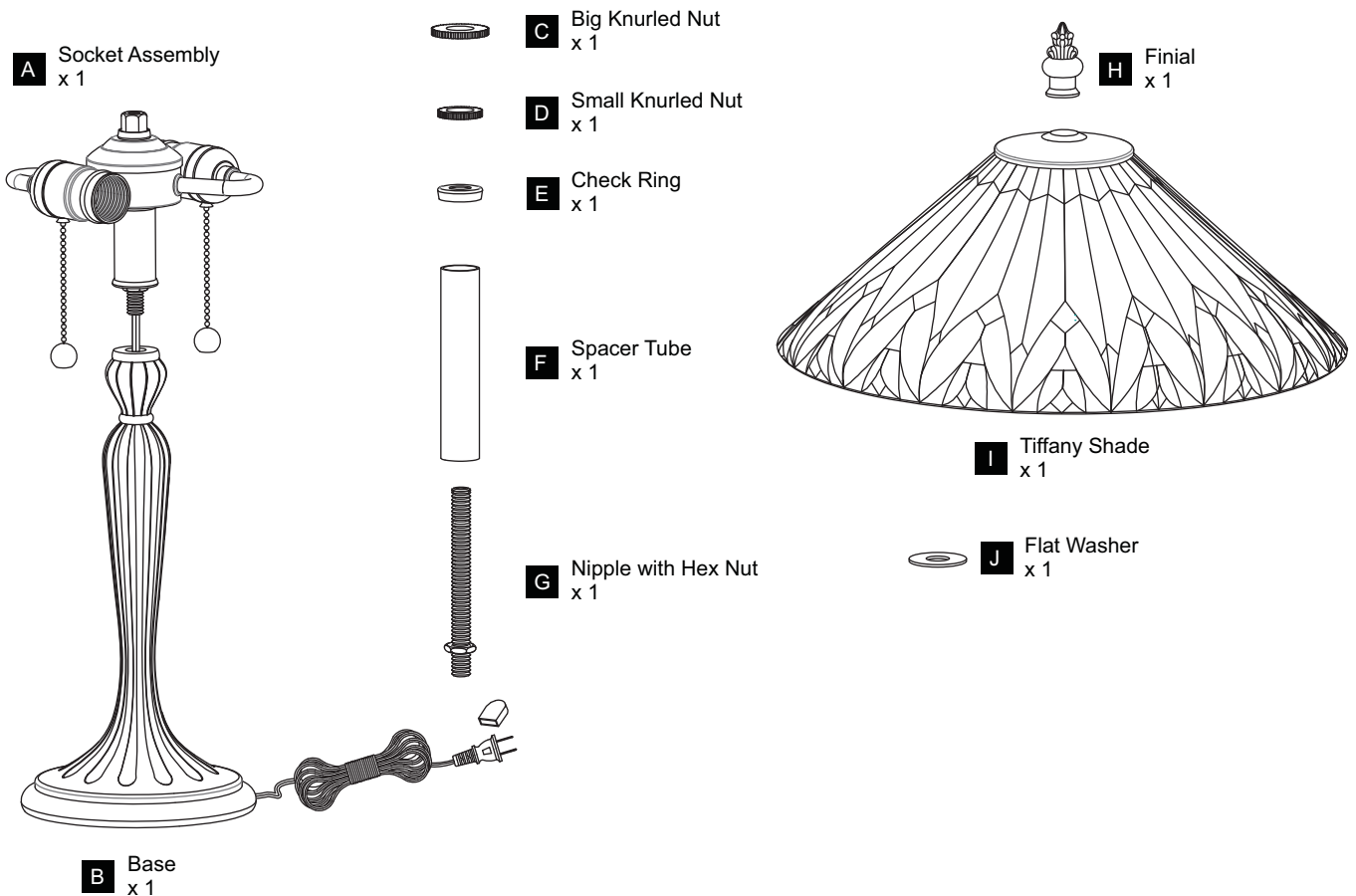
If a white powder appears on the soldered joints of the Tiffany shade this is a normal oxidation process. Use a small amount of lemon oil or mineral oil applied directly to oxidized areas and the soldered area will return to like new.

CARE AND MAINTENANCE

- Wipe clean using soft, dry cloth or static duster. Always avoid using harsh chemicals and abrasives to clean fixture as they may damage the finish.

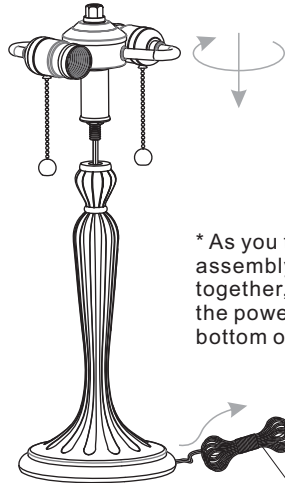
If you need further assistance call Quozel Customer Care at 1-800-645-3184 (9:00am - 5:00pm EST), or visit us on-line at www.quezel.com.

PACKAGE CONTENTS



INSTALLATION

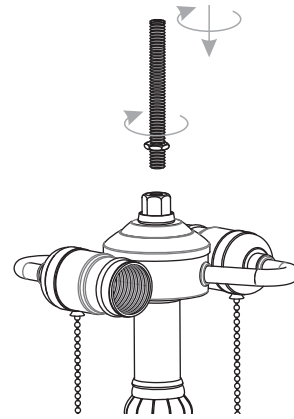
1 Install Base and Socket Assembly together



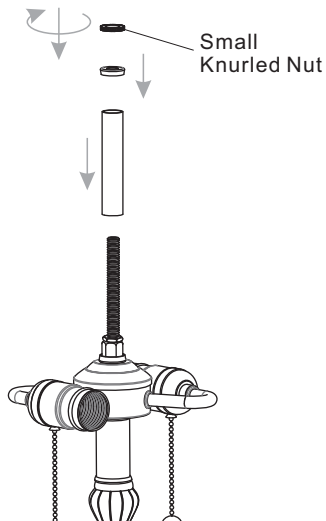
* As you thread the socket assembly and the base together, continuously pull the power cord from the bottom of the base.

Power Cord

2 Install Nipple with Hex Nut

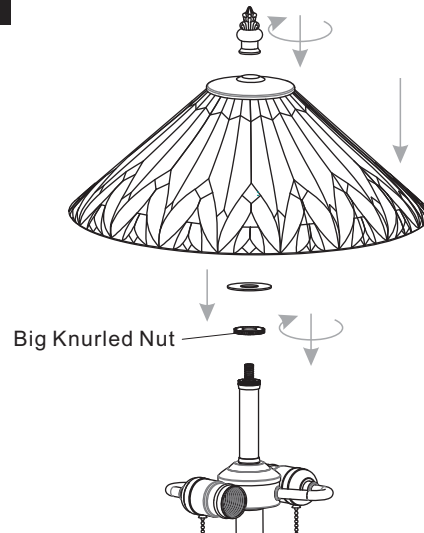


3 Install Spacer Tube and Check Ring



Small Knurled Nut

4 Install Shade

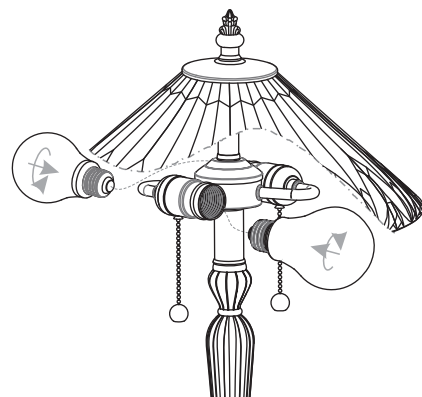


Big Knurled Nut

5 Install Bulbs

Install two correct bulbs referring to fixture markings and/or labels for maximum wattage.

Recommended Bulb Type (not included):



Your installation is now complete! Restore electricity and save this sheet for future reference.