

# Assembly Instruction Sheet #IS-TFAS9360VA

## For Style TFAS9360VA

Quoizel, Inc.  
 6 Corporate Parkway  
 Goose Creek, SC  
 29445

Customer Service  
 Phone 631.273.2700  
 Fax 631.231.7102  
 www. quoizel. com

**Tools Required:** None

**Bulb Recommended:** (2) Medium Base Bulbs 100W Maximum

**Estimated Assembly Time:** 15-20 minutes

**Preparation:** Identify and inspect all parts before beginning installation. Check package content list and diagrams below to be sure all parts are present. If any parts are missing or damaged, do not attempt to assemble, install, or operate the fixture. Contact customer service for replacement parts.



### Warnings and Cautions

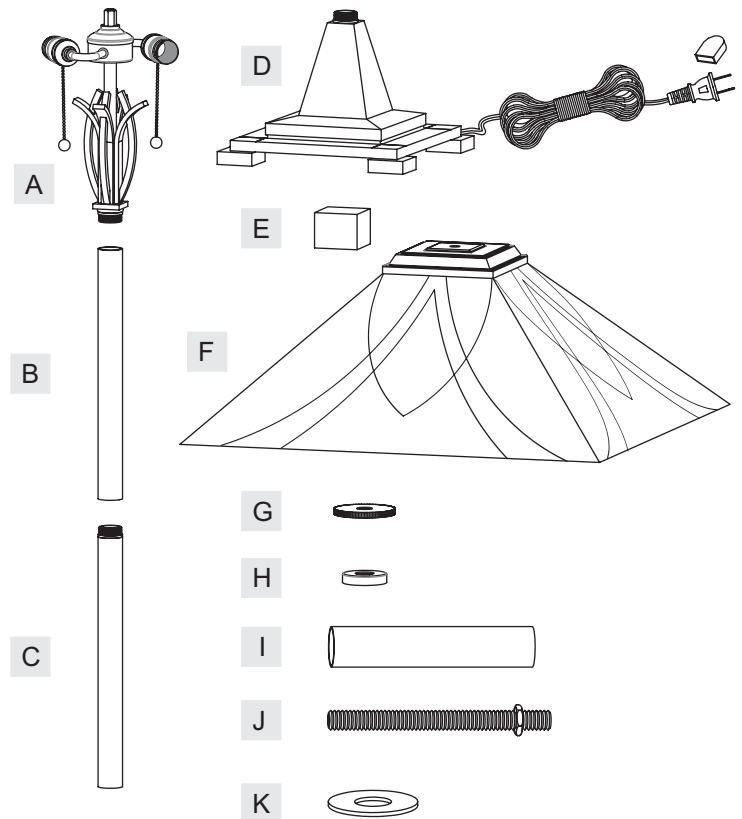
Turn off electricity at circuit breaker or main fuse box before installation. Consult a licensed electrician if in doubt.

These instructions are provided for your safety. It is very important you read them completely before installing the fixture. We strongly recommend that a licensed, professional electrician perform the installation.

Disconnect fixture from power source before replacing bulbs. Make sure bulbs are given sufficient time to cool before removal. Do not subject glass parts to any shock while in operation or shattering may result.

### Package Contents

Part	Description	Quantity
A	Socket Assembly	1 pc.
B	Tube 1 1/2"D x 12 1/2"L	1 pc.
C	Tube 1 1/2"D x 12 1/2"L with Connector	2 pcs.
D	Base	1 pc.
E	Finial	1 pc.
F	Shade	1 pc.
G	Knurled Nut	1 pc.
H	Check Ring	1 pc.
I	Spacer Tube 3/4"D x 5"L	1 pc.
J	Stem 5"L with Hex Nut	1 pc.
K	Flat Washer	1 pc.

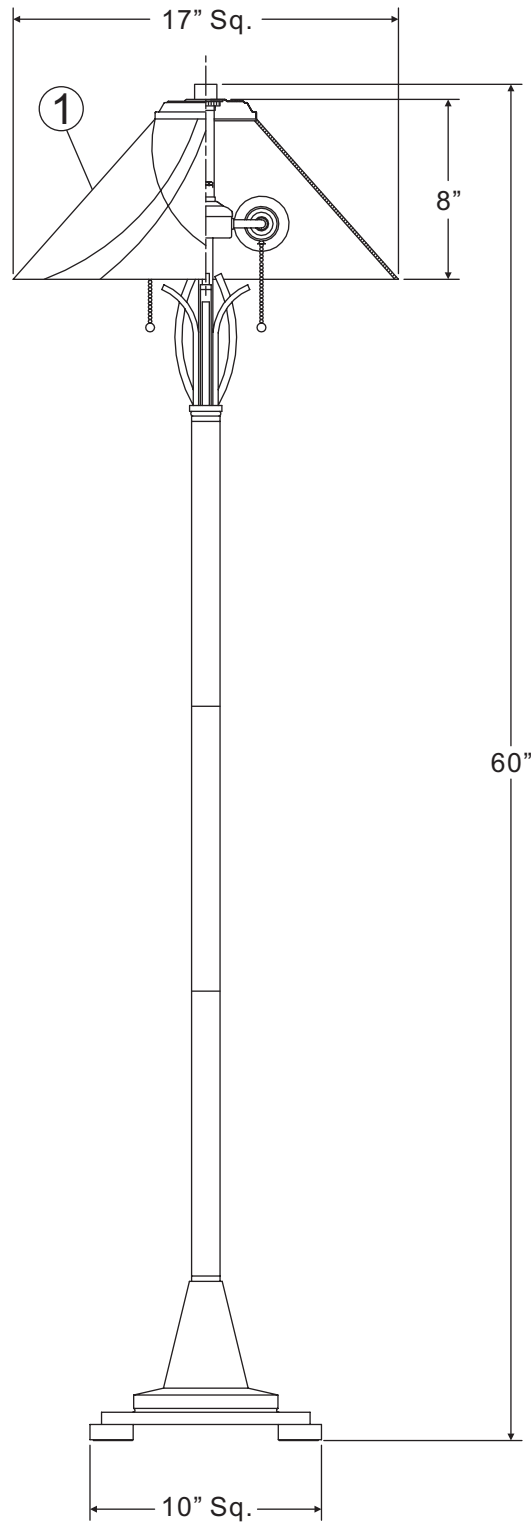


Thank you for purchasing a Quoizel product.

Need assistance with parts or assembly? Call Quoizel customer service at 1-631-273-2700 or visit us on-line at [www. quoizel. com](http://www. quoizel. com)

TFAS9360VA

FINISH: VALIANT BRONZE



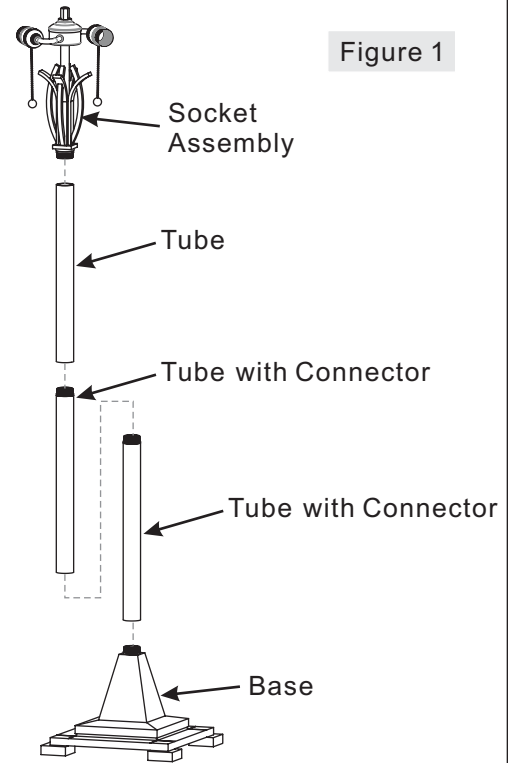
(2) 100W Medium  
Base Bulbs  
(Not Supplied)

NOTE: ALL DIMENSIONS ARE ROUNDED UP TO THE NEAREST 1/2"

NO.	PART NUMBER	REPLACEMENT PART DESCRIPTION	REQ.
1	G3577SH	TIFFANY SHADE 17"SQ	1

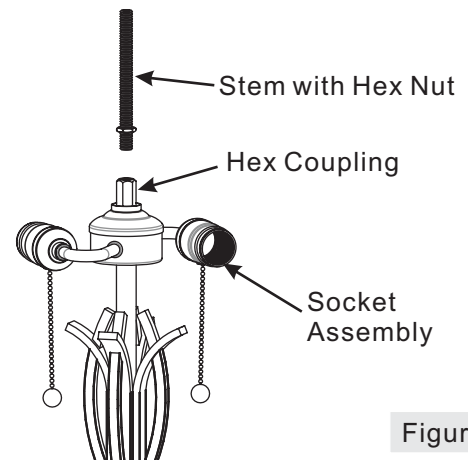
### STEP 1 – Assemble the Socket Assembly, the Tubes and the Base

- A. Thread the Base, the Tubes with Connectors (C), the Tube (B) and the Socket Assembly (A) together as shown. Hand tighten until snug.



### STEP 2 – Install the Stem with Hex Nut

- A. Thread the Hex Nut end of the Stem (J) into the Hex Coupling on the top center of the Socket Assembly (A). By using pliers, thread the Hex Nut against the Hex Coupling and hand tighten until snug.



Thank you for purchasing a Quoizel product.  
Need assistance with parts or assembly? Call Quoizel customer service at 1-631-273-2700  
or visit us on-line at [www. quozel. com](http://www. quozel. com)

**STEP 3 – Assemble the Spacer Tube**

- A. Pass the Spacer Tube (I) and the Check Ring (H) over the top end of the Stem (J). Secure them with the Knurled Nut (G). Hand tighten until snug.

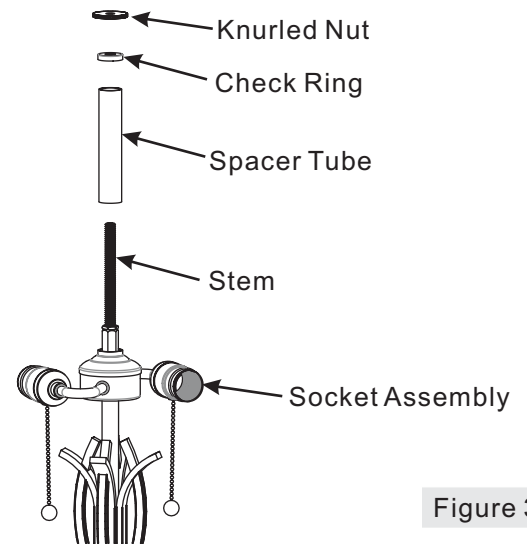


Figure 3

**STEP 4 – Assemble the Shade**

- A. Place the Flat Washer (K) and Shade (F) over the top end of the Stem (J) and secure with the Finial (E). Hand tighten until snug.

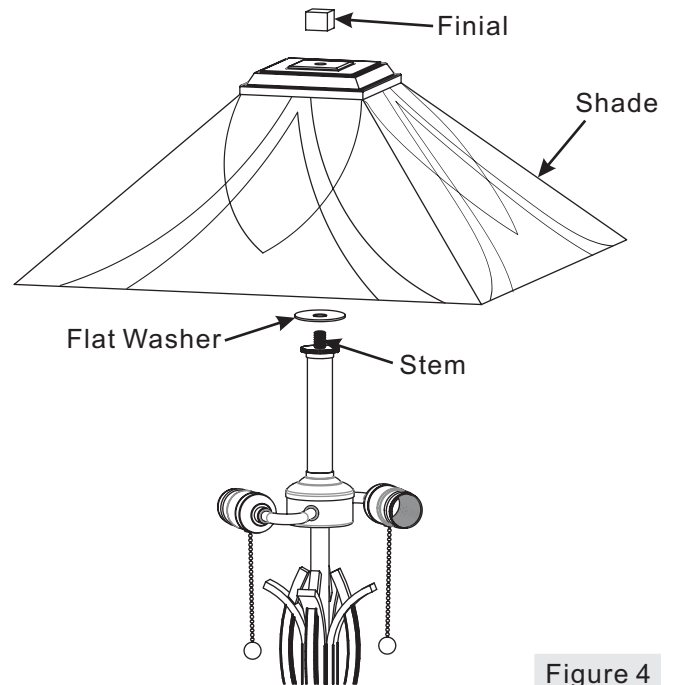


Figure 4

**Thank you for purchasing a Quoizel product.  
Need assistance with parts or assembly? Call Quoizel customer service at 1-631-273-2700  
or visit us on-line at [www.quoizel.com](http://www.quoizel.com)**

**STEP 5 – Install Bulb**

- A. This fixture uses standard bulbs with medium screw bases. Maximum 100 watts.
- B. Insert bulb and screw snugly into place.

Your fixture is now assembled and ready to use. Enjoy!

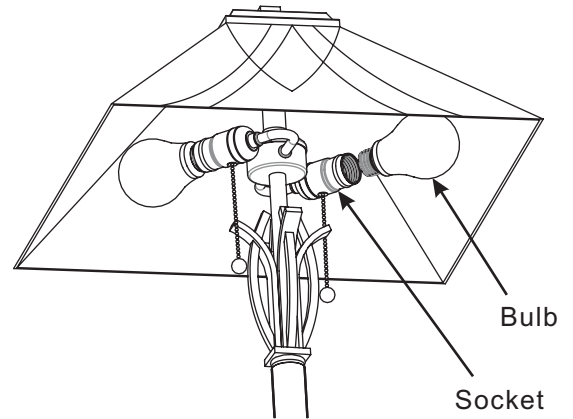


Figure 5

**Thank you for purchasing a Quoizel product.  
Need assistance with parts or assembly? Call Quoizel customer service at 1-631-273-2700  
or visit us on-line at [www. quoizel. com](http://www. quoizel. com)**