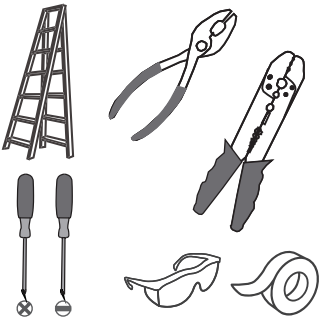
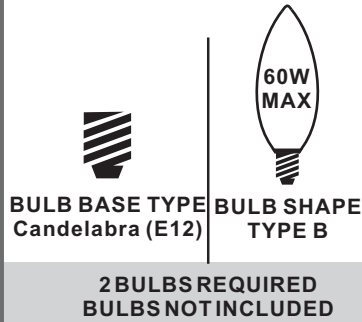


Tools Required



Light Source



Warnings and Cautions

Turn off the electricity at the circuit breaker before installation. Consult a licensed electrician if in doubt about installation.

Turn off power to the fixture and allow the bulbs to cool before replacing.

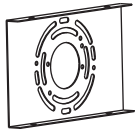
Package Contents

Preparation: Identify and inspect all parts before beginning the installation.

Missing or damaged parts? Contact your original place of purchase.

PARTS BAG

A Mounting Screw x 4

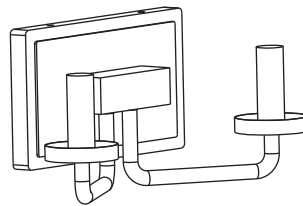


B Inner Backplate x 1

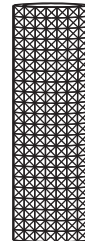
C Outlet Box Screw x 2



D Wire Connector x 3



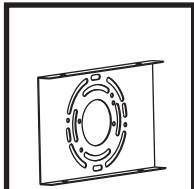
E Fixture Body x 1



F Glass Shade x 2

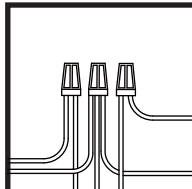
Table of Contents

Inner Backplate



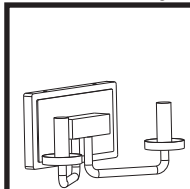
STEP 1

Wiring



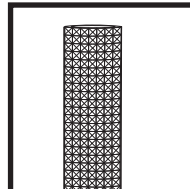
STEP 2

Fixture Body



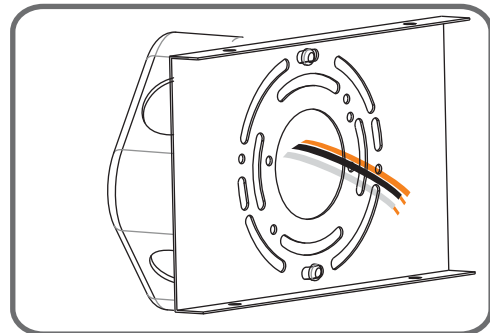
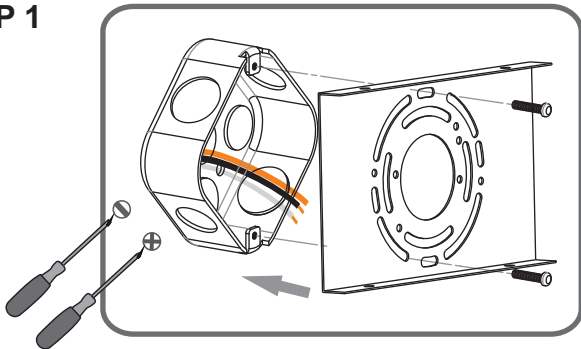
STEP 3

Shade & Bulb

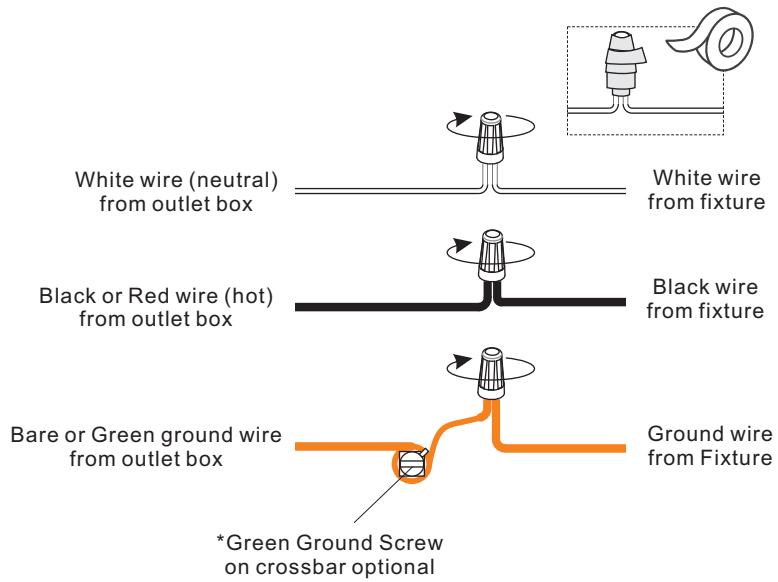


STEP 4

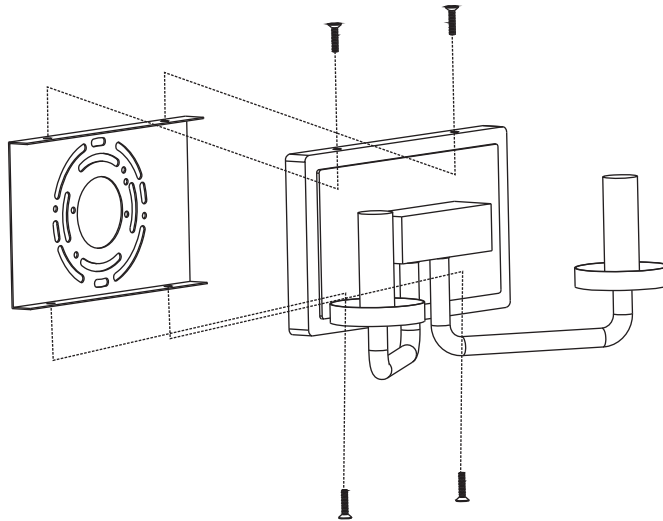
STEP 1



STEP 2



STEP 3



STEP 4

