

**SAFETY INFORMATION**

Please read and understand this entire manual before attempting to assemble, install or operate the product.

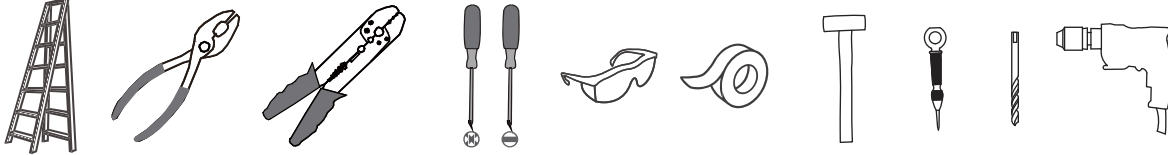
**WARNING**

- RISK OF ELECTRIC SHOCK - Before beginning installation, turn off electricity at the circuit breaker box or the main fuse box.
- RISK OF FIRE - Use bulbs specified by the markings and/or labels on the fixture.

**CAUTION**

- For your safety, read instructions completely before beginning installation.
- If in doubt about electrical installation, consult a licensed electrician.
- Turn off electricity to fixture before replacing the bulb(s).

**TOOLS REQUIRED**

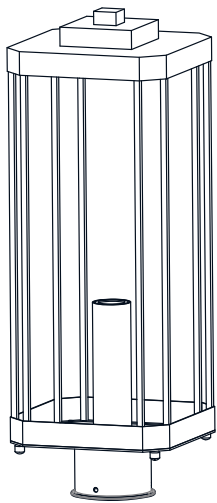


**CARE AND MAINTENANCE**

- Wipe clean using soft, dry cloth or static duster. Always avoid using harsh chemicals and abrasives to clean fixture as they may damage the finish.

If you need further assistance call Quoizel Customer Care at 1-800-645-3184 (9:00am - 5:00pm EST), or visit us on-line at [www.quoizel.com](http://www.quoizel.com).

**PACKAGE CONTENTS**



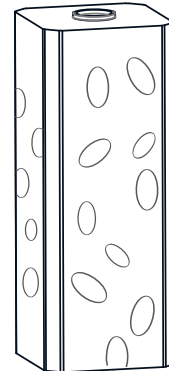
**A** Fixture Body  
x 1



**B** Flat Washer  
[Pre-assembled  
To Fixture Body]  
X 1



**C** Lock Screw  
[Pre-assembled  
To Fixture Body]  
X 1



**D** Glass Shade  
x 1

**MOUNTING HARDWARE**



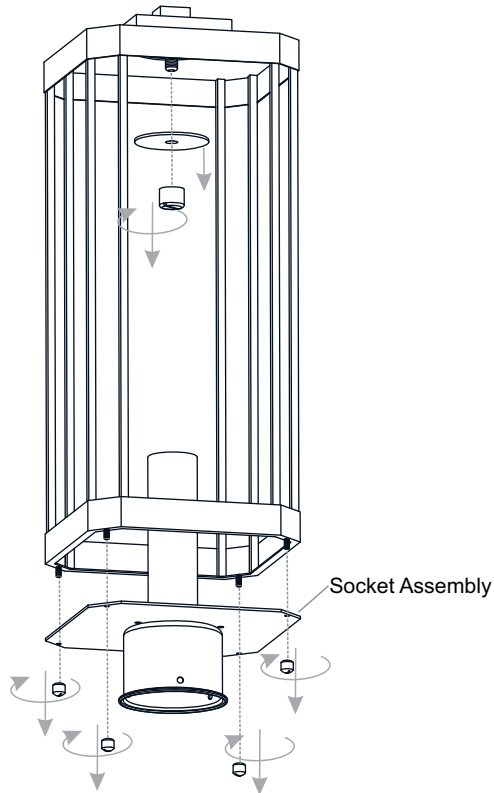
**AA** Mounting Screw  
x 3



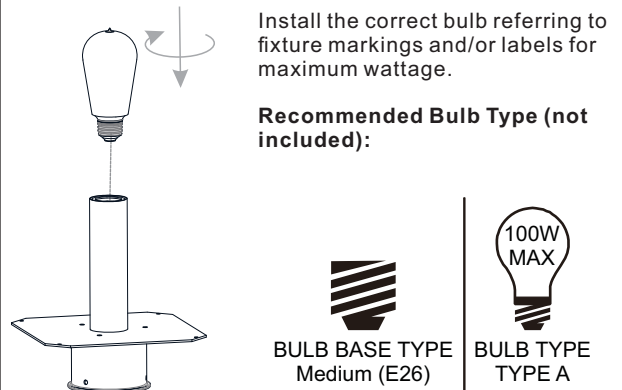
**BB** Wire Connector  
x 3

# INSTALLATION

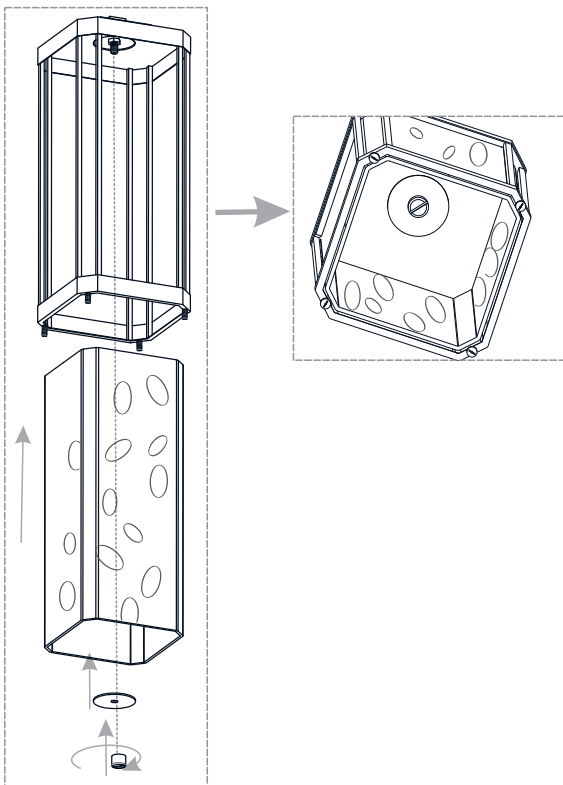
## 1 Remove Socket Assembly



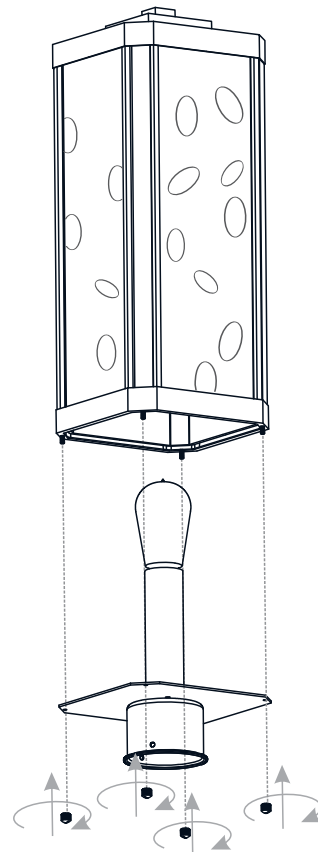
## 2 Install Bulb



## 3 Install Glass shade

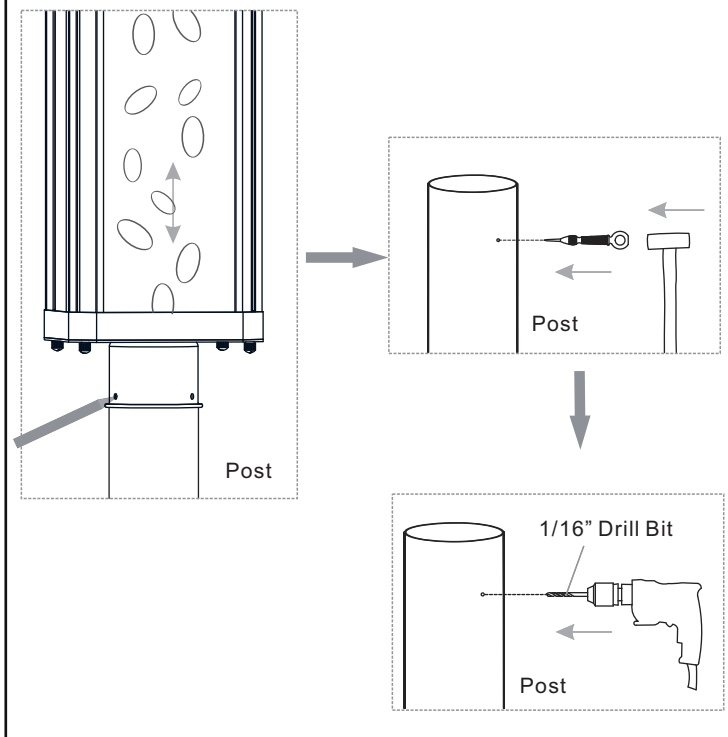


## 4 Install Socket Assembly

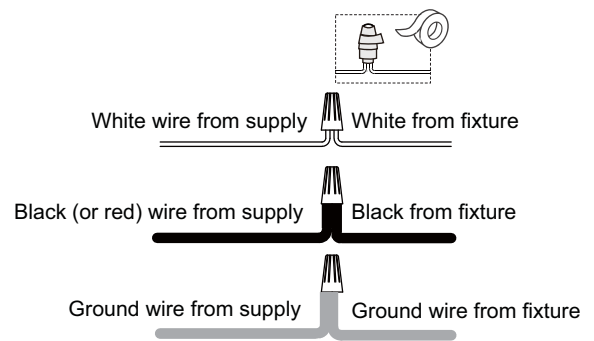


## HOW TO REPLACE GLASS SHADE

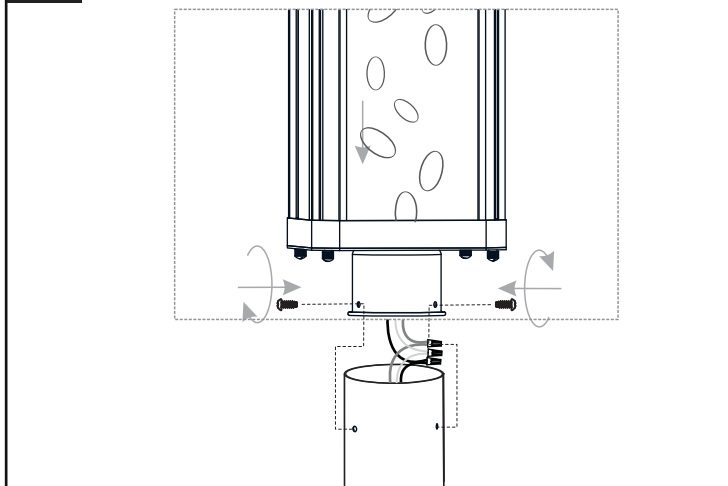
### 5 Drill Mounting Hole Locations on Post



### 6 Wiring



### 7 Install Fixture Body



**Your installation is now complete! Restore electricity and save this sheet for future reference.**