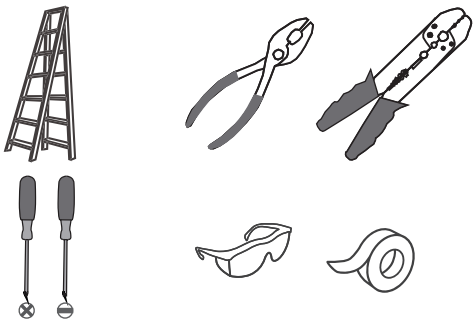
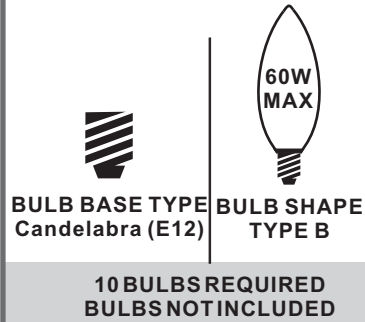


Tools Required



Light Source



Fixture Height Adjustable
15.75" to 52.25"

Warnings and Cautions

Turn off the electricity at the circuit breaker before installation. Consult a licensed electrician if in doubt about installation.

Turn off power to the fixture and allow the bulbs to cool before replacing.

Package Contents

Preparation: Identify and inspect all parts before beginning the installation.

Missing or damaged parts? Contact your original place of purchase.

PARTS BAG

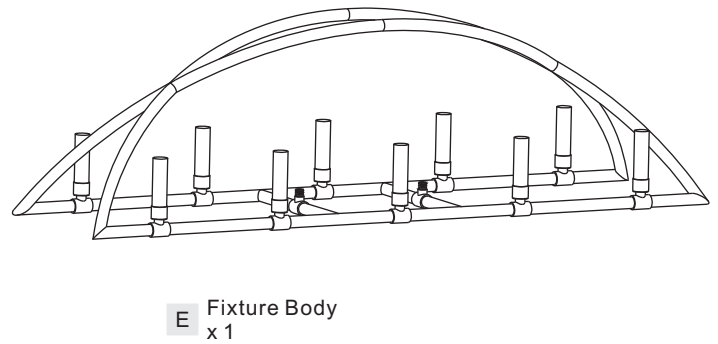
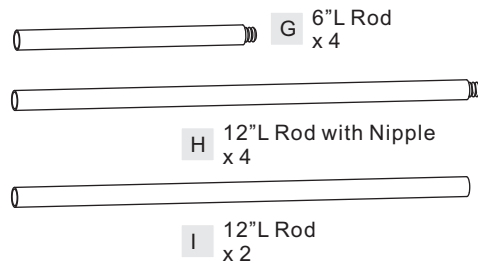
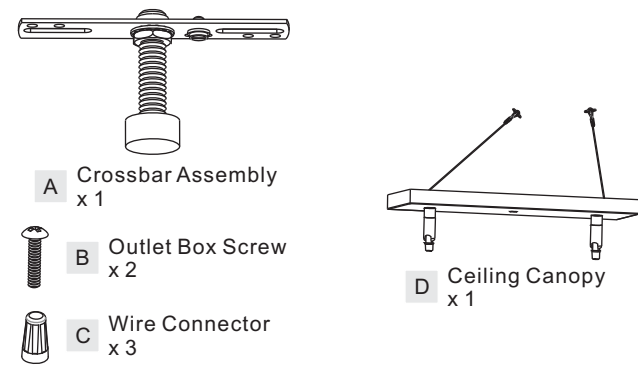
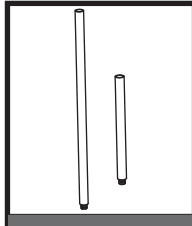
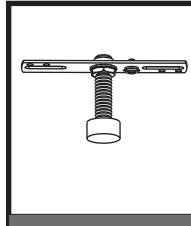
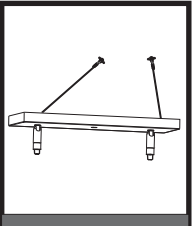
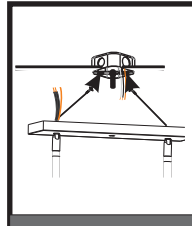
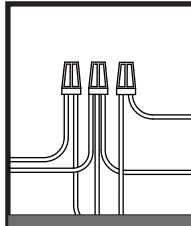
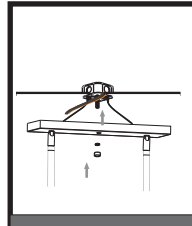
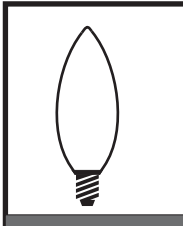


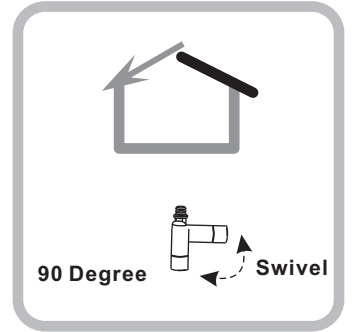
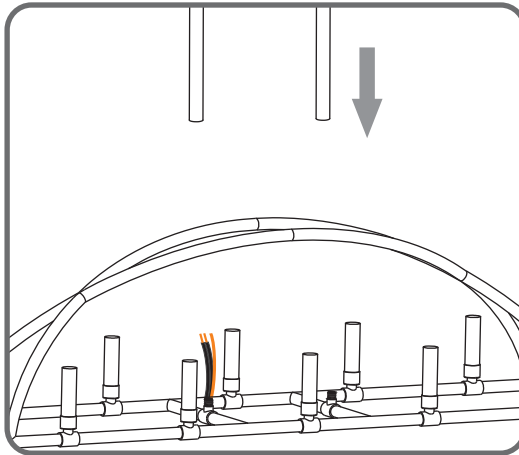
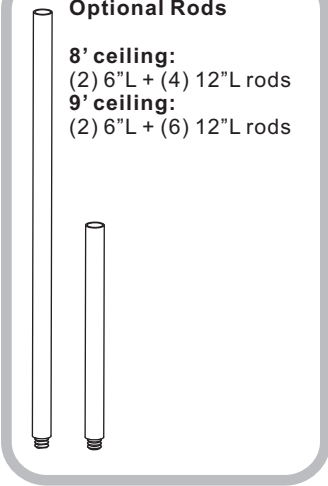
Table of Contents

	Rods	Crossbar Assembly	Ceiling Canopy	
				
	STEP 1	STEP 2	STEP 3	
Lanyard	Wiring	Ceiling Canopy	Bulb	
				
STEP 4	STEP 5	STEP 6	STEP 7	

STEP 1

Optional Rods

8' ceiling:
(2) 6"L + (4) 12"L rods
9' ceiling:
(2) 6"L + (6) 12"L rods

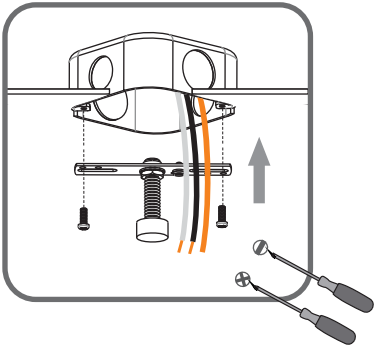


For angled ceilings,
Swivel opening towards wall.

STEP 2

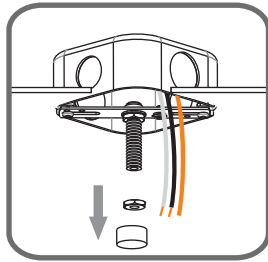
1

Step 1
Install crossbar assembly

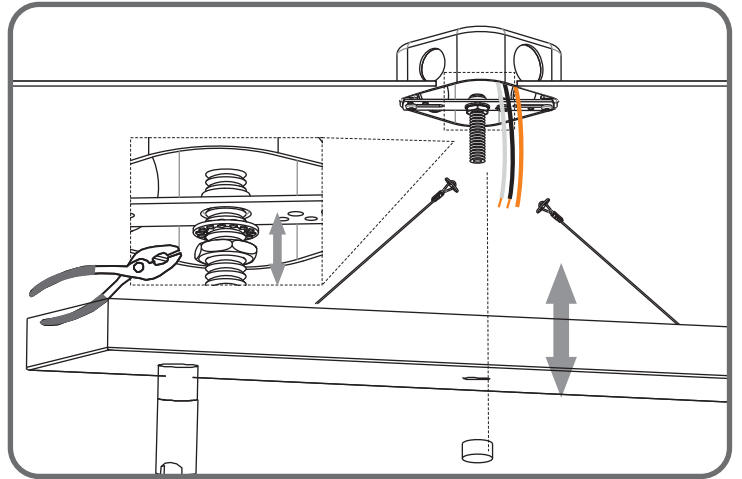


2

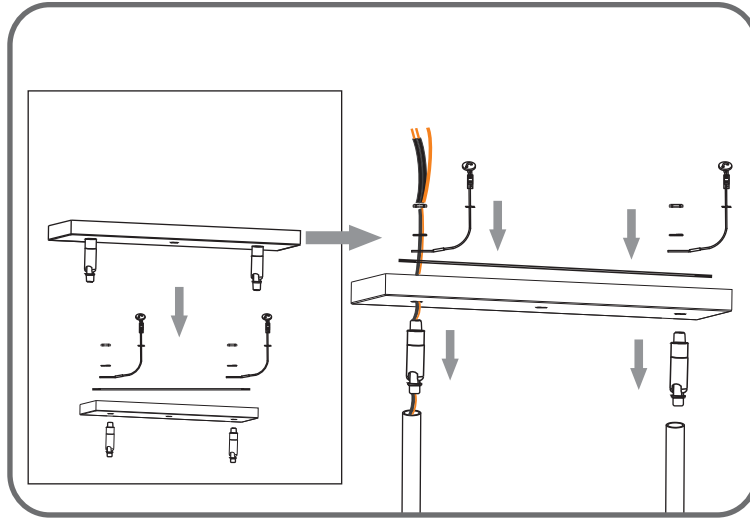
Step 2 - 3
Test fitting ceiling canopy to nipple



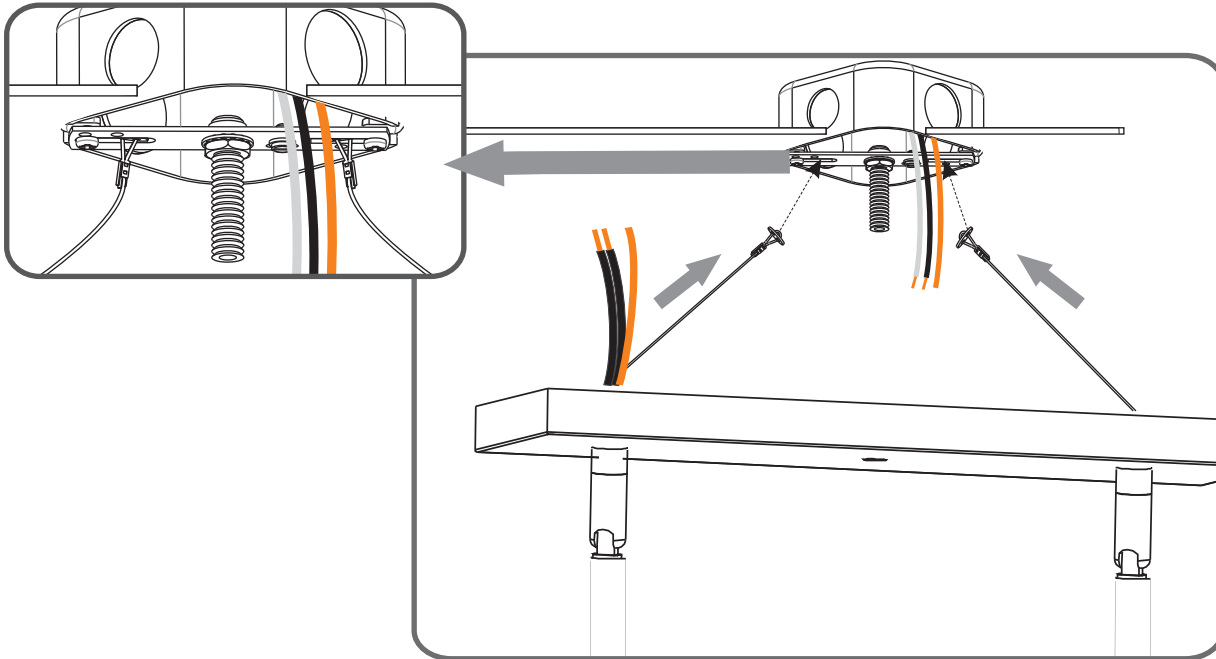
3



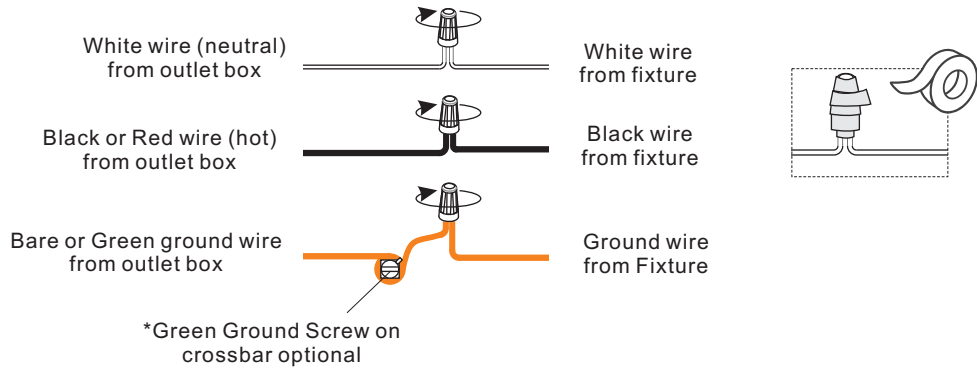
STEP 3



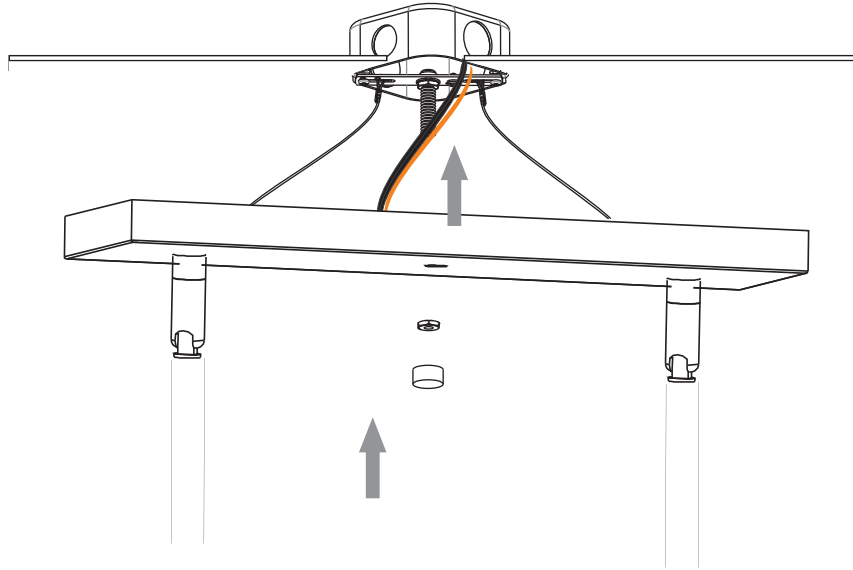
STEP 4



STEP 5



STEP 6



STEP 7

