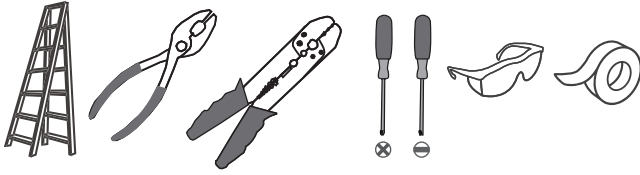


Tools Required



Light Source

6W
LED

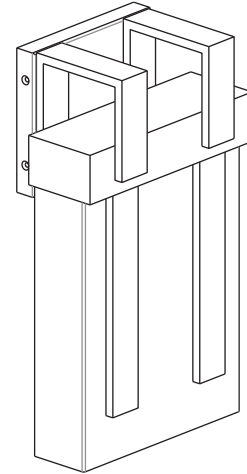
Warnings and Cautions

Turn off the electricity at the circuit breaker before installation. Consult a licensed electrician if in doubt about installation.

Package Contents

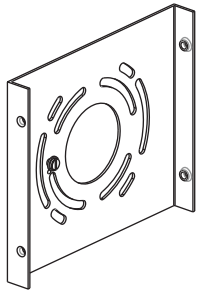
Preparation: Identify and inspect all parts before beginning the installation.

Missing or damaged parts? Contact your original place of purchase.



E Fixture Body
x 1

PARTS BAG



A Inner Backplate
x 1

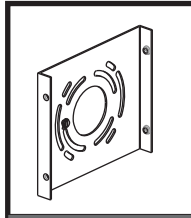
B Lock Screw
x 4

C Outlet Box Screw
x 2

D Wire Connector
x 3

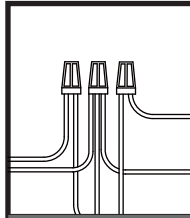
Table of Contents

Inner Backplate



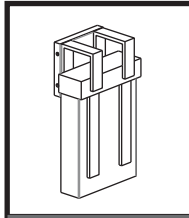
STEP 1

Wiring



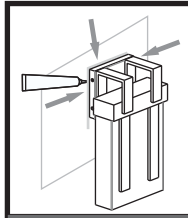
STEP 2

Fixture Body



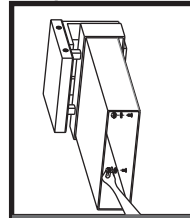
STEP 3

Caulk



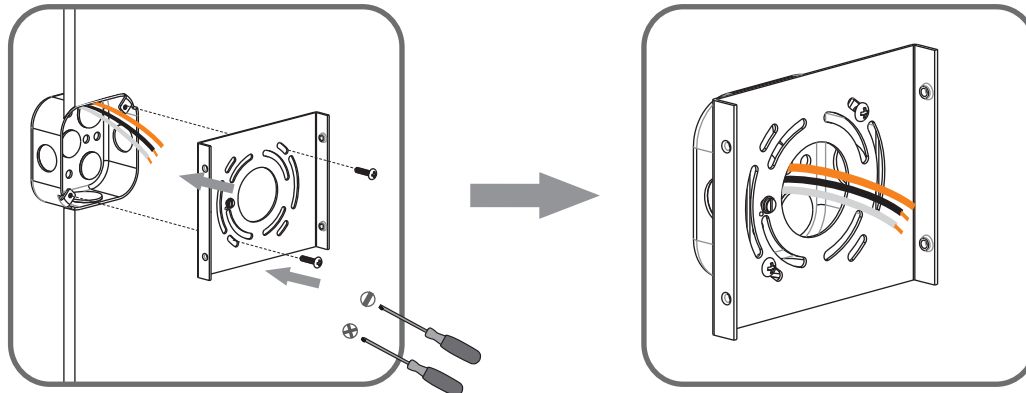
STEP 4

Replace Shade

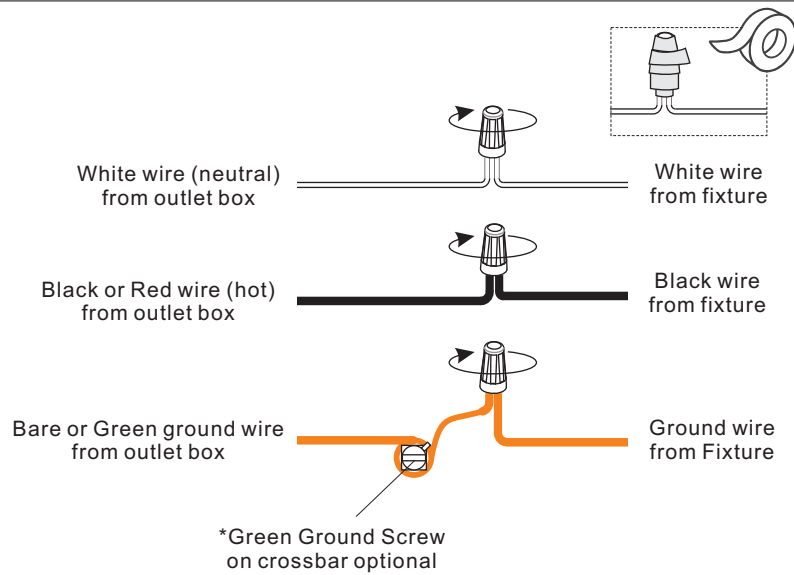


STEP 5

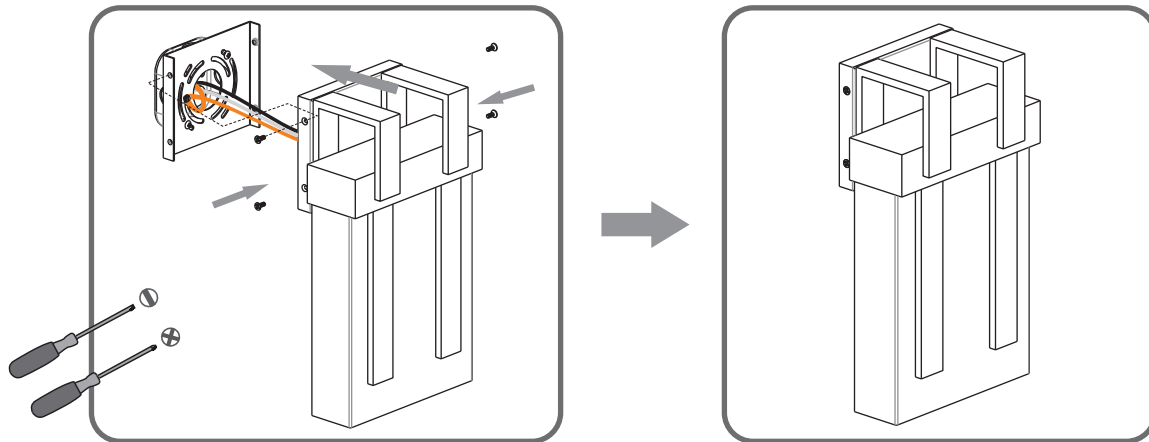
STEP 1



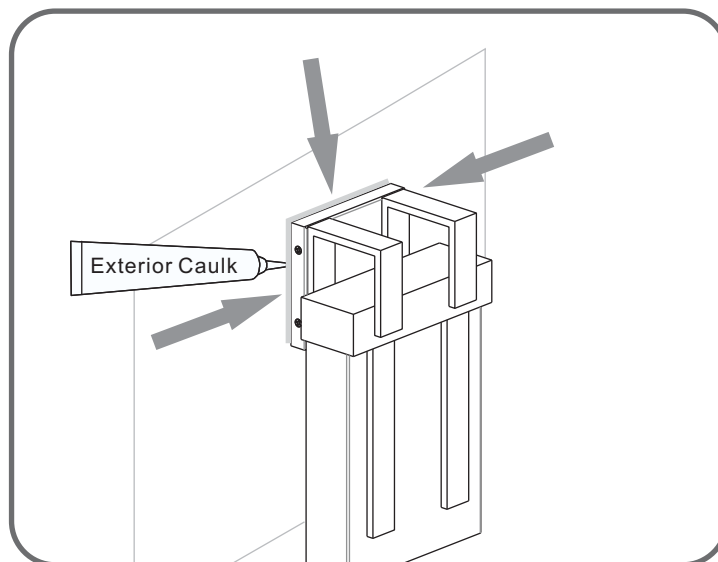
STEP 2



STEP 3



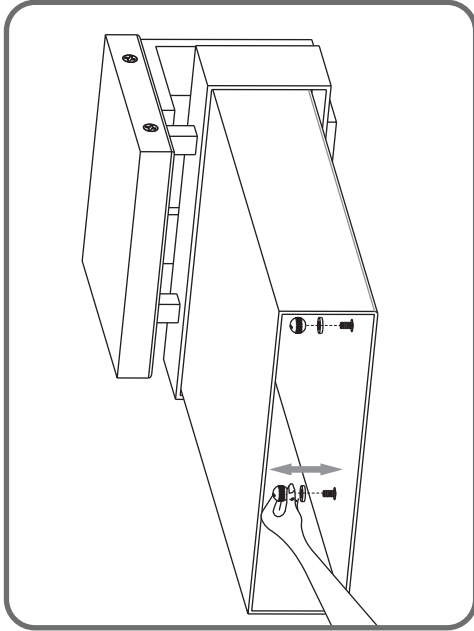
STEP 4



STEP 5 - How To Replace Shade

1

Remove lock balls and washers



Reinstall lock balls and washers

3

2

Replace shade

