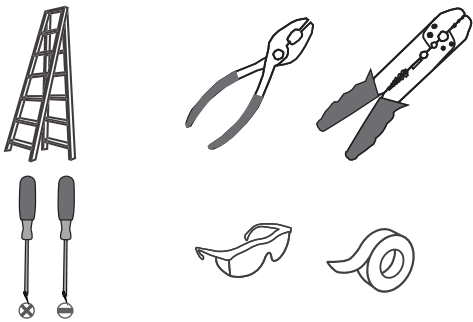
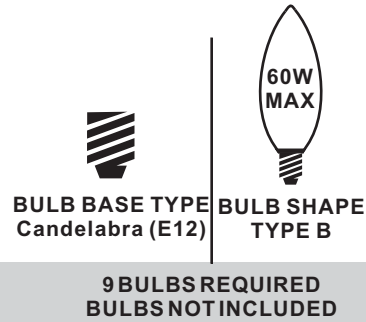


**Tools Required**



**Light Source**



**Fixture Height Adjustable 38" to 134"**

**⚠ Warnings and Cautions**

Turn off the electricity at the circuit breaker before installation. Consult a licensed electrician if in doubt about installation.

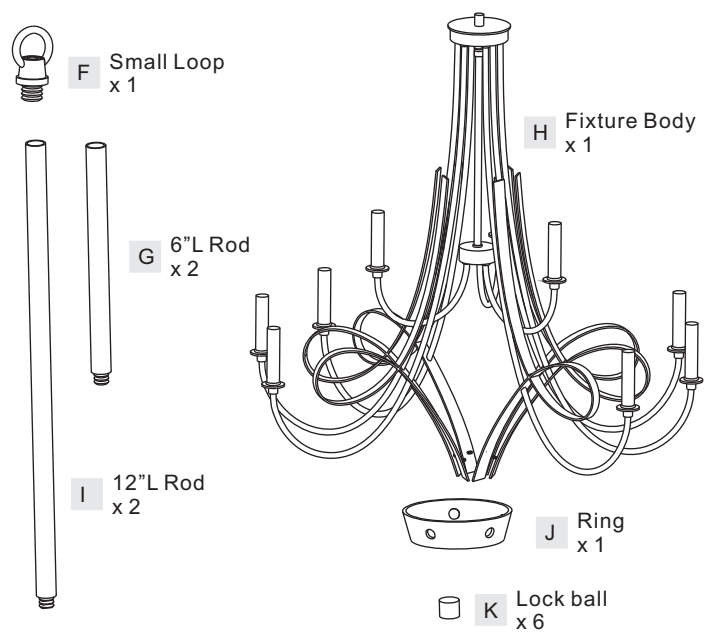
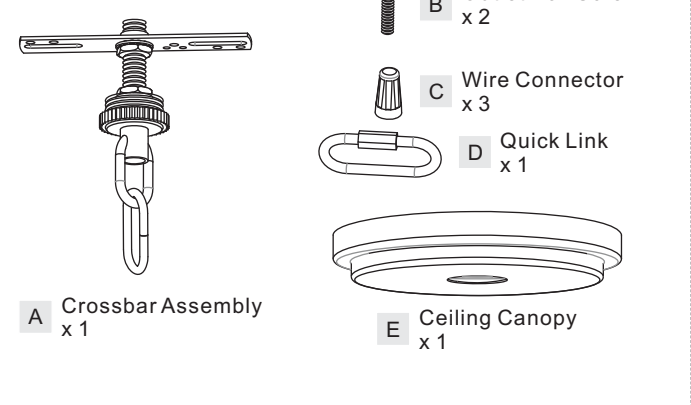
Turn off power to the fixture and allow the bulbs to cool before replacing.

**Package Contents**

**Preparation:** Identify and inspect all parts before beginning the installation.

Missing or damaged parts? Contact your original place of purchase.

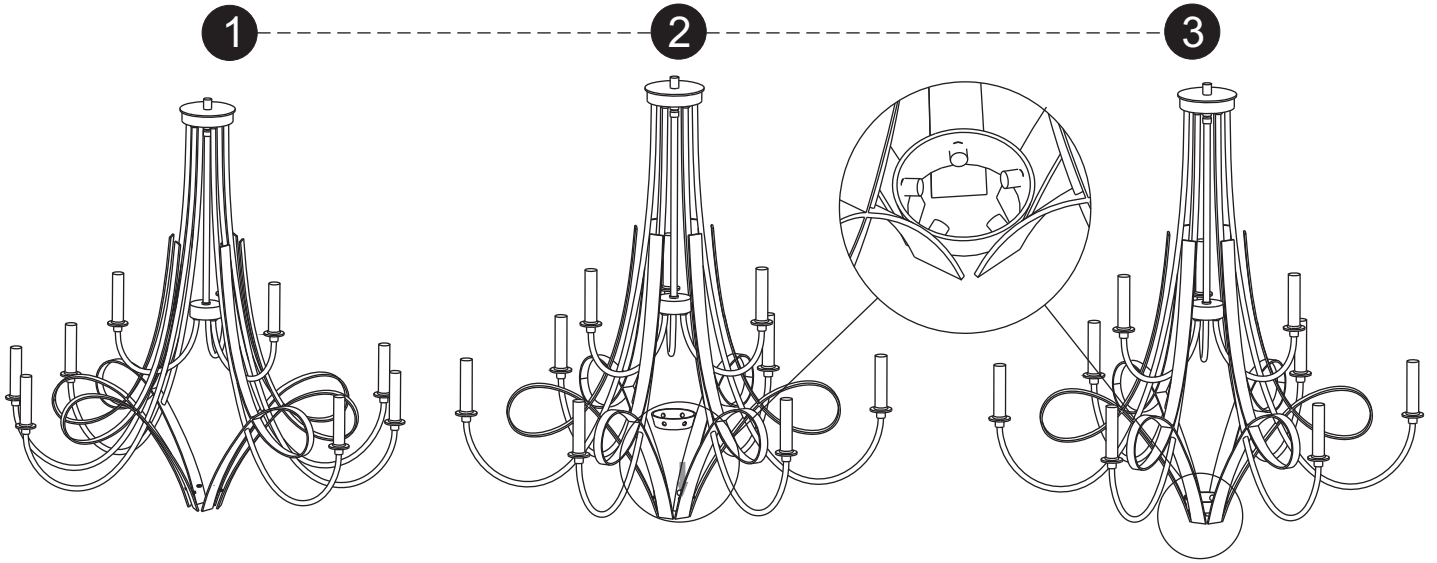
**PARTS BAG**



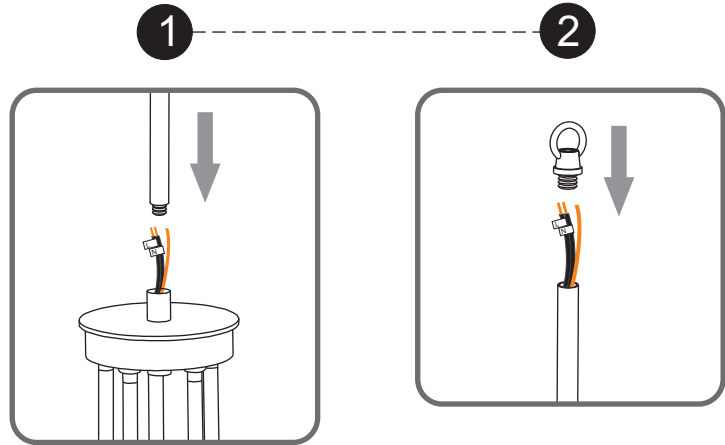
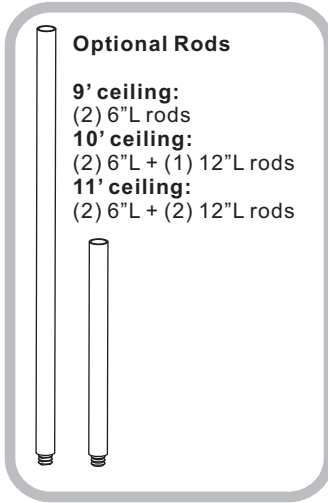
**Table of Contents**

Fixture Body	Rods&Small Loop	Crossbar Assembly	Quick Link	Wiring	Ceiling Canopy	Bulb
STEP 1	STEP 2	STEP 3	STEP 4	STEP 5	STEP 6	STEP 7

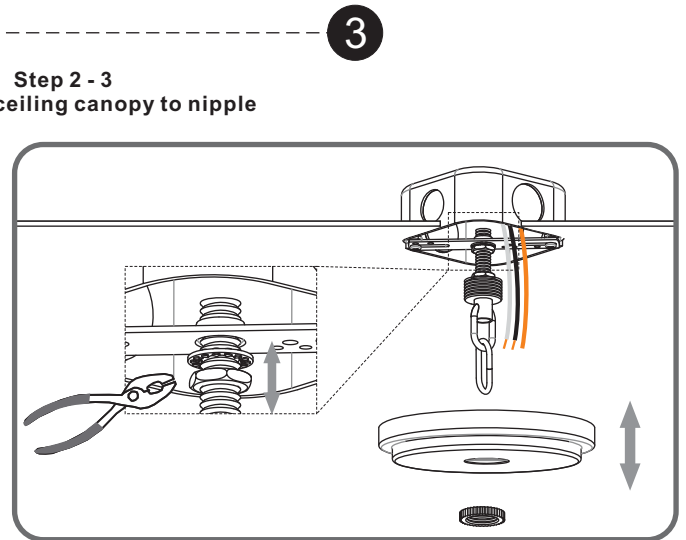
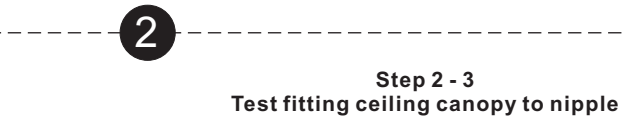
## STEP 1



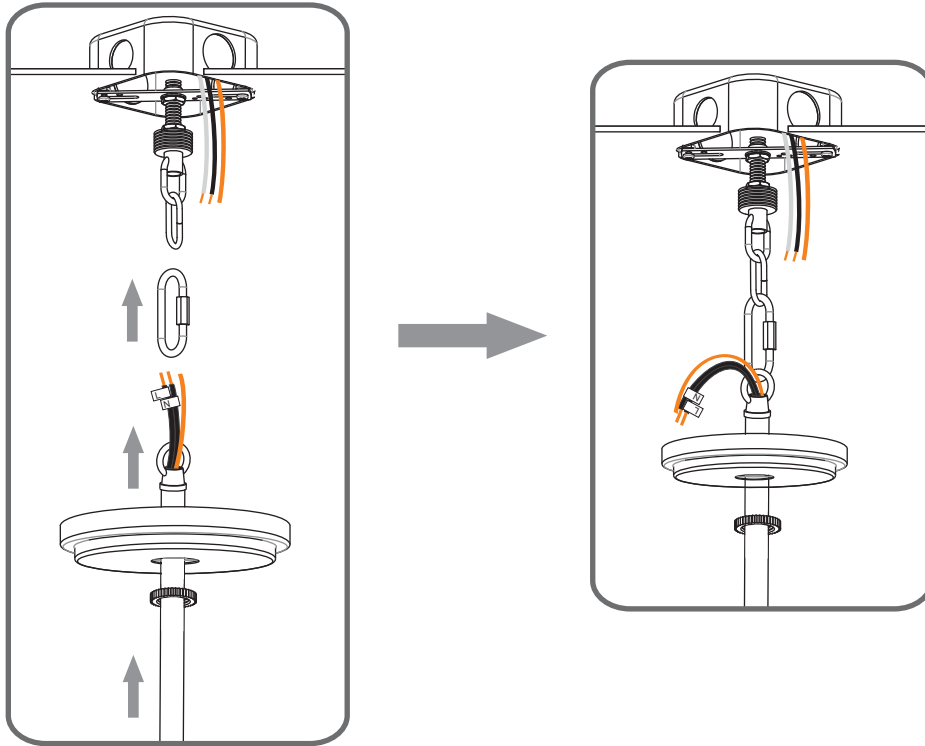
## STEP 2



## STEP 3



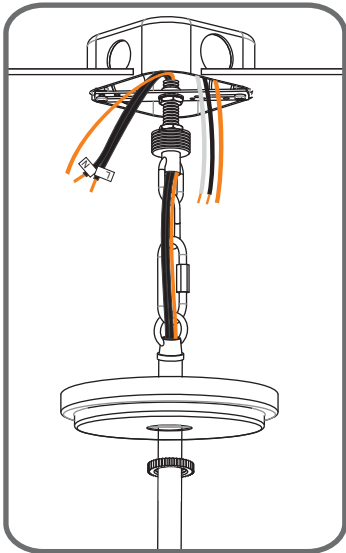
## STEP 4



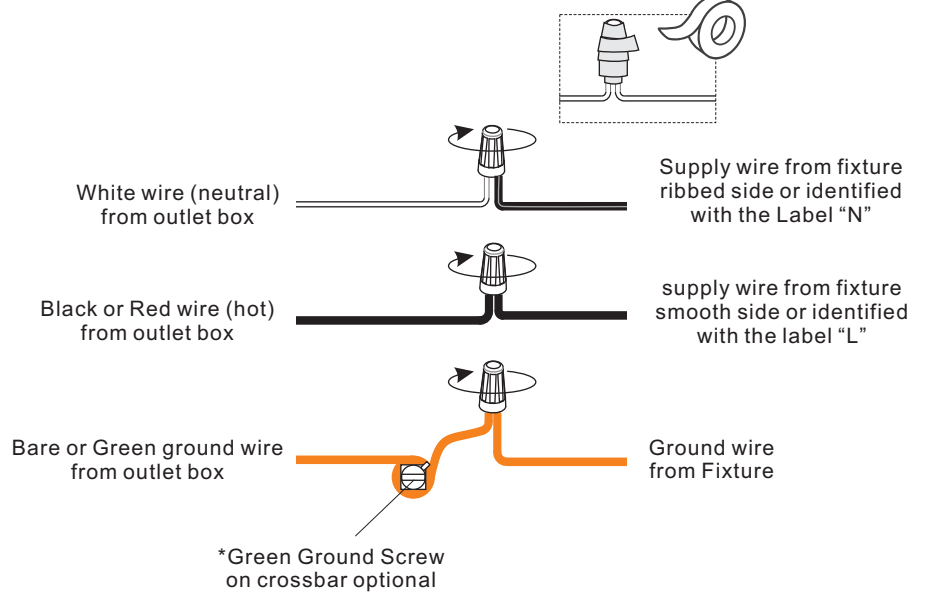
## STEP 5

1

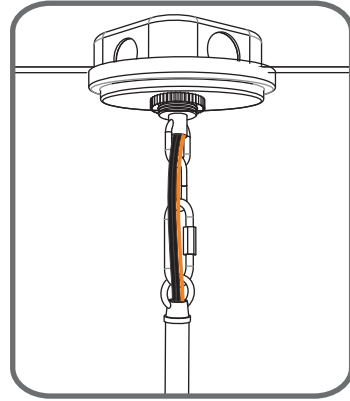
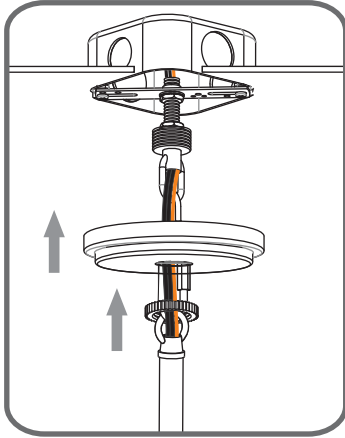
Step 1  
Feed the fixture wires  
through the loop



2



**STEP 6**



**STEP 7**

