

SAFETY INFORMATION

Please read and understand this entire manual before attempting to assemble, install or operate the product.

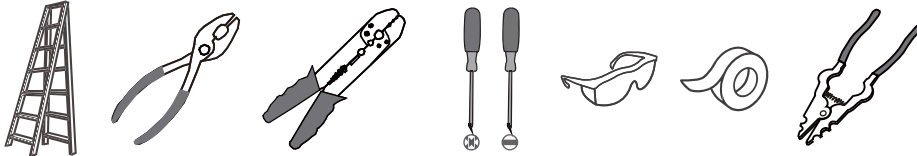
WARNING

- RISK OF ELECTRIC SHOCK - Before beginning installation, turn off electricity at the circuit breaker box or the main fuse box.
- RISK OF FIRE - Use bulbs specified by the markings and/or labels on the fixture.

CAUTION

- For your safety, read instructions completely before beginning installation.
- If in doubt about electrical installation, consult a licensed electrician.
- Turn off electricity to fixture before replacing the bulb(s).

TOOLS REQUIRED

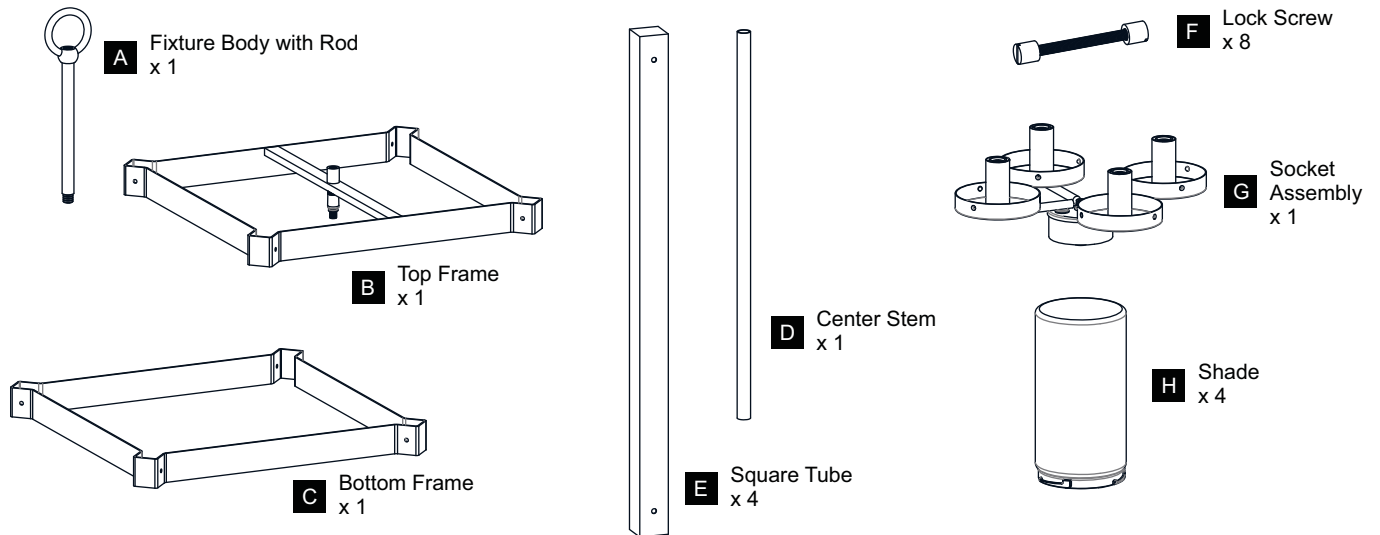


CARE AND MAINTENANCE

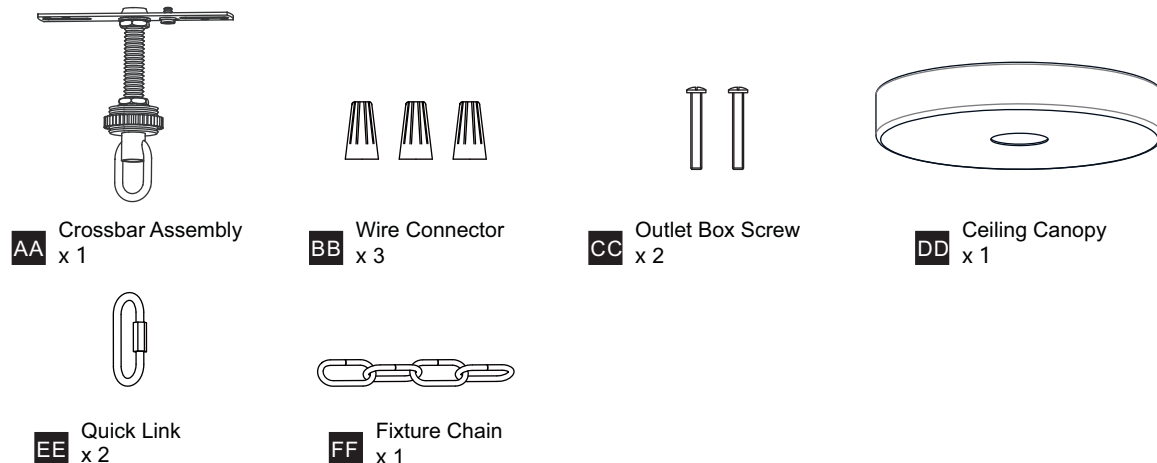
- Wipe clean using soft, dry cloth or static duster. Always avoid using harsh chemicals and abrasives to clean fixture as they may damage the finish.

If you need further assistance call Quoizel Customer Care at 1-800-645-3184 (9:00am - 5:00pm EST), or visit us on-line at www.quoizel.com.

PACKAGE CONTENTS

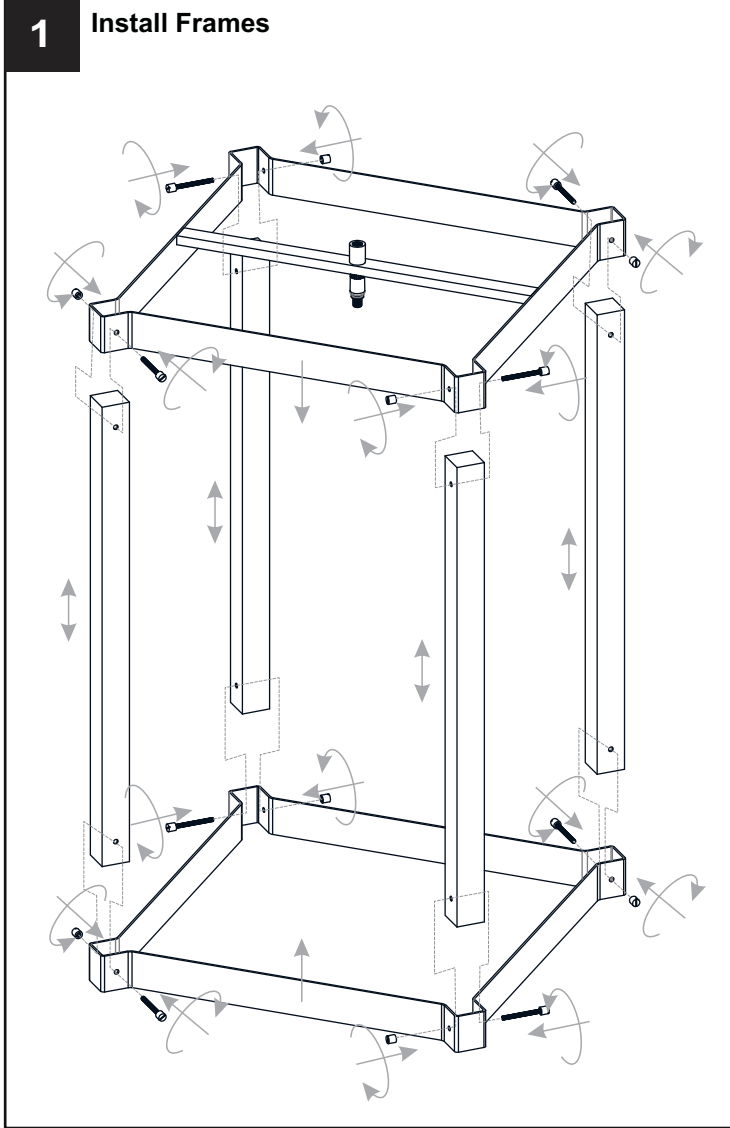


MOUNTING HARDWARE

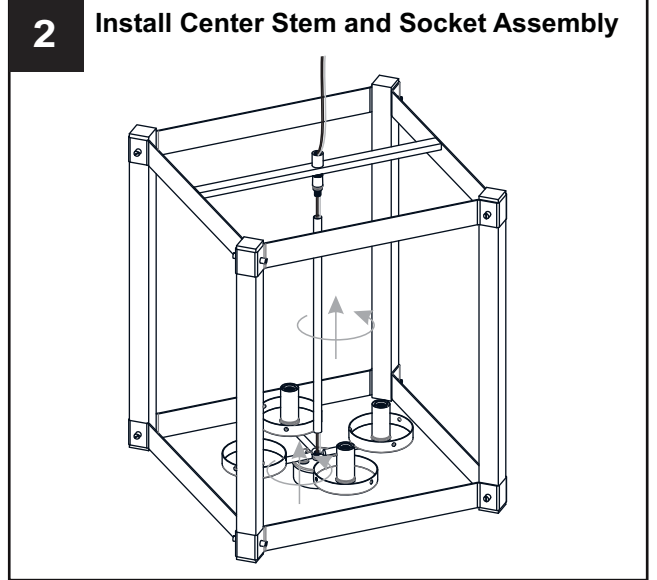


INSTALLATION

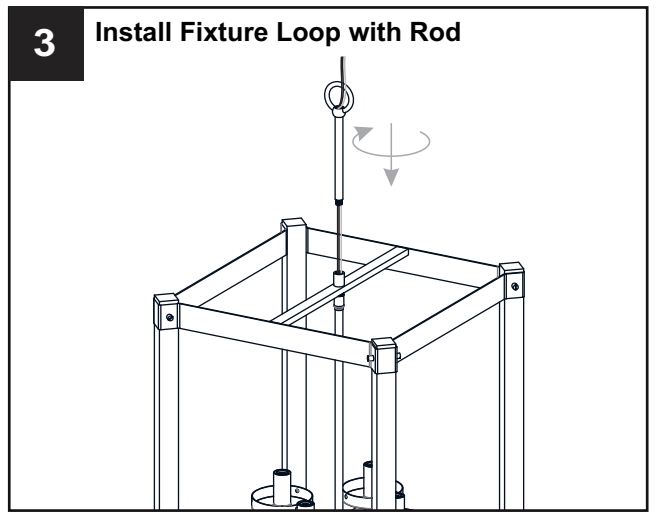
1 Install Frames



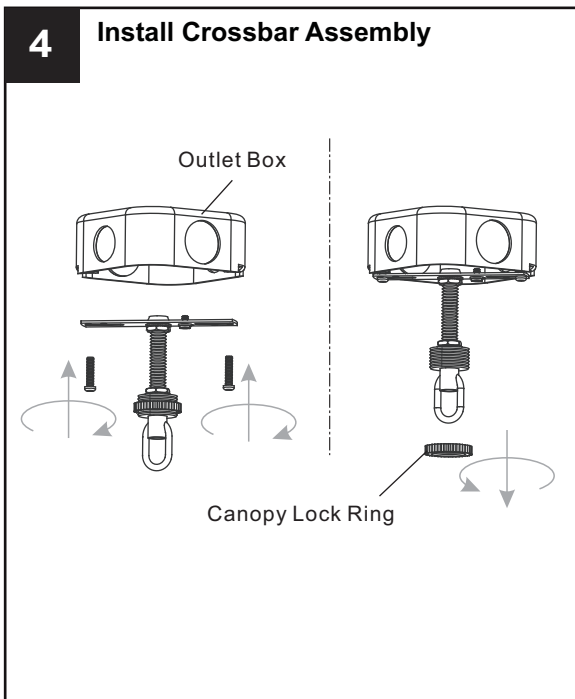
2 Install Center Stem and Socket Assembly



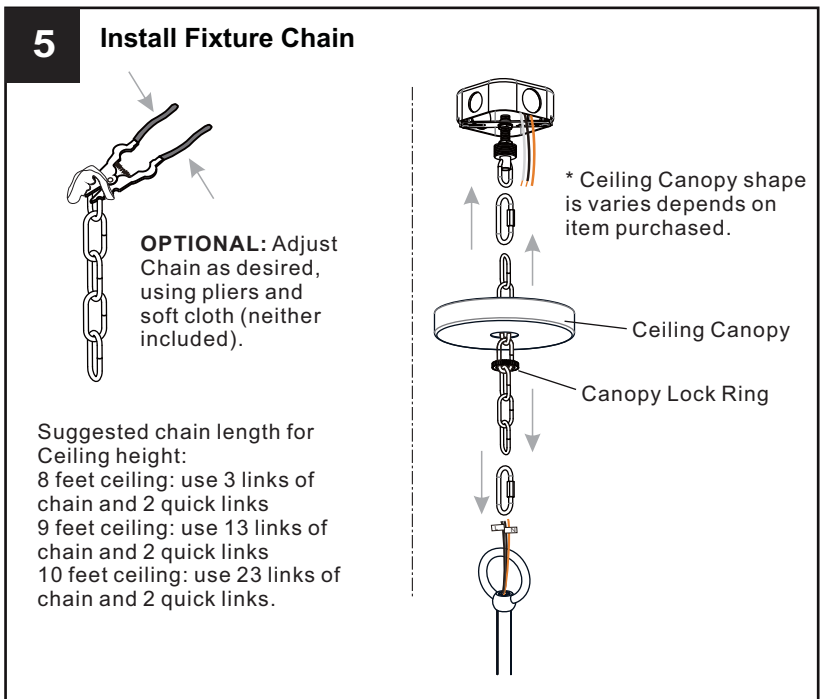
3 Install Fixture Loop with Rod



4 Install Crossbar Assembly

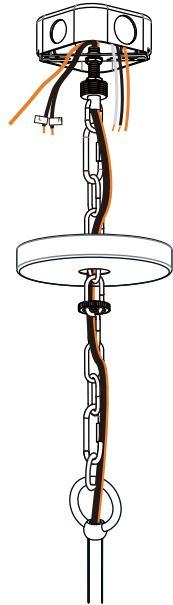


5 Install Fixture Chain

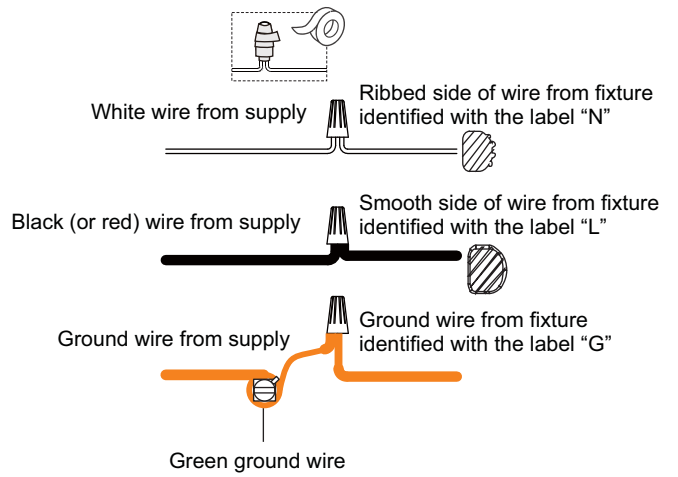


6 Pull Supply Wires

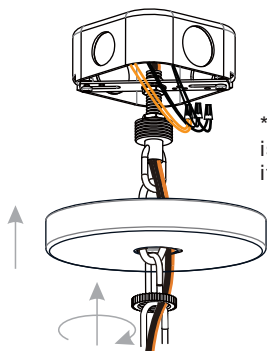
Pull the supply wires with ground wire through the chain alternate links.



7 Wiring



8 Install Ceiling Canopy

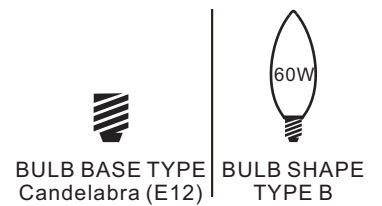
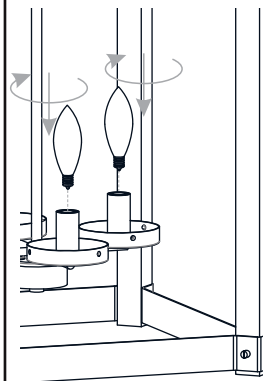


* Ceiling Canopy shape is varies depends on item purchased.

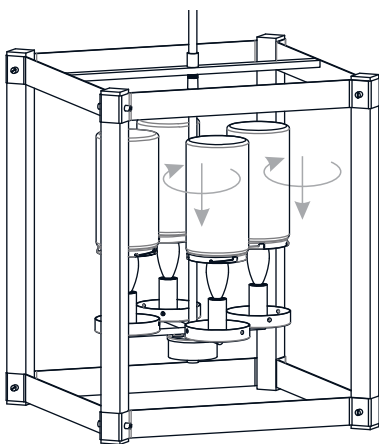
9 Install Bulbs

Install four correct bulbs referring to fixture markings and/or labels for maximum wattage.

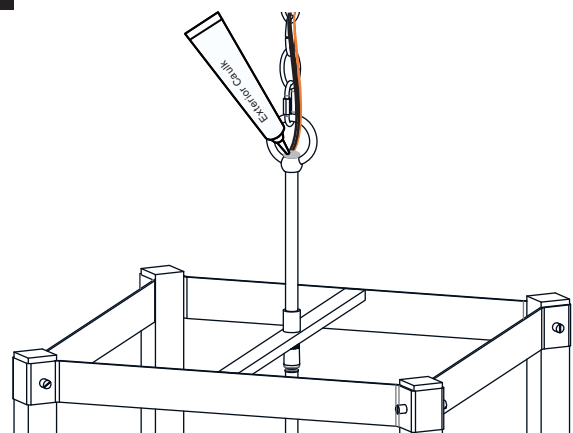
Recommended Bulb Type (not included):



10 Install Shade



11 Apply Caulking



Your installation is now complete! Restore electricity and save this sheet for future reference.